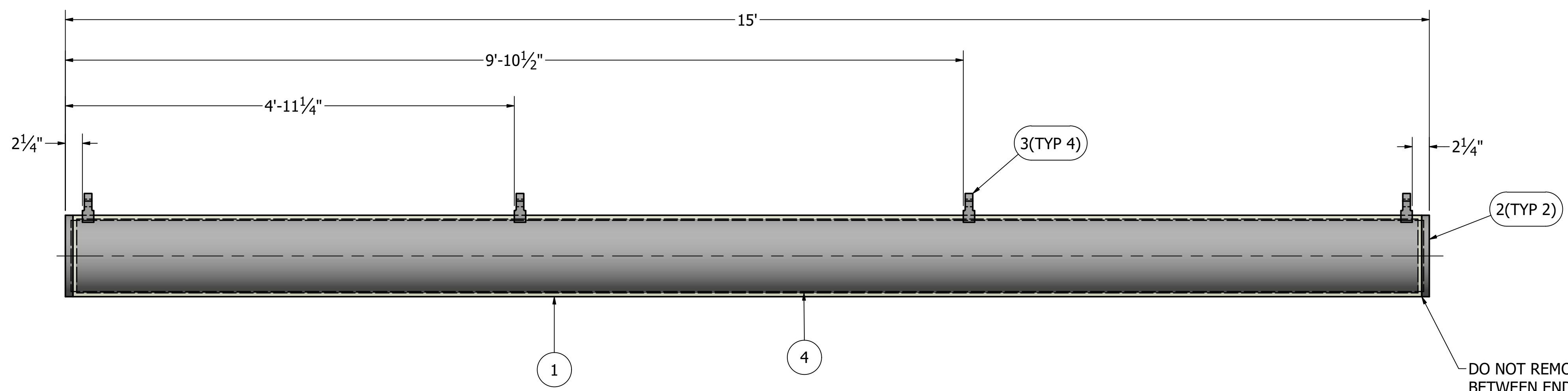
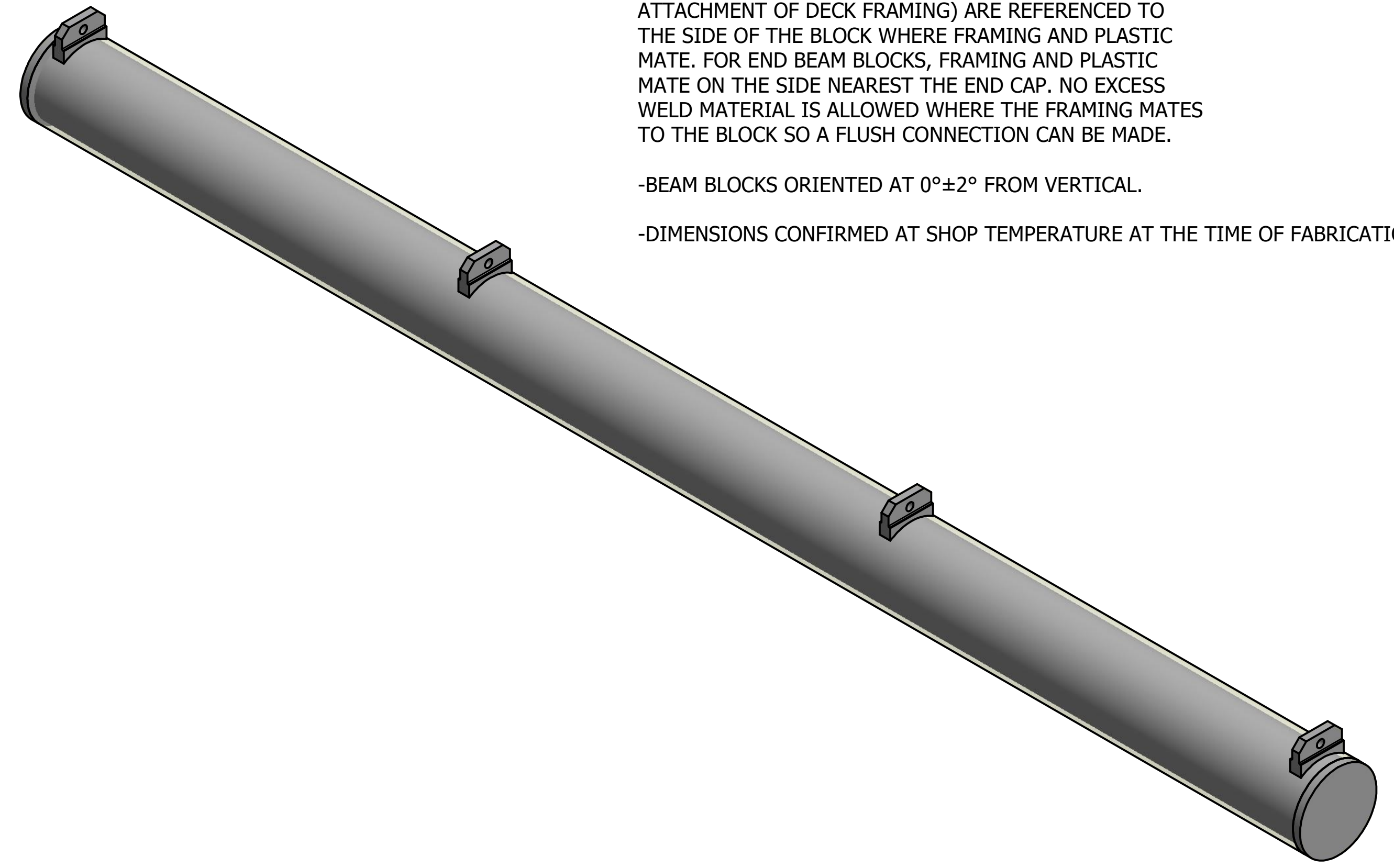
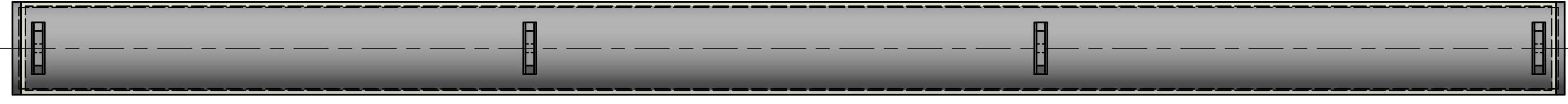
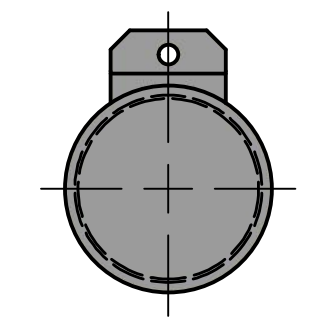


PARTS LIST			
ITEM	QTY	PART NUMBER	DESCRIPTION
1	15 ft	10101714	10" DR 17 IPS HDPE PIPE
2	2	29010012	10" HDPE END CAP FROM 1" SHEET (3/4" PLATE, 1/4" PUP)
3	4	29010010	10" CUSTOM ATTACHMENT BLOCK FROM 1-1/2" HDPE SHEET
4	15 ft	99999999	10" POLYSTYRENE CLOSED CELL FOAM, TYPE 1

NOTES:
 -DIMENSIONS SHOWING LOCATION OF BEAM BLOCKS (FOR ATTACHMENT OF DECK FRAMING) ARE REFERENCED TO THE SIDE OF THE BLOCK WHERE FRAMING AND PLASTIC MATE. FOR END BEAM BLOCKS, FRAMING AND PLASTIC MATE ON THE SIDE NEAREST THE END CAP. NO EXCESS WELD MATERIAL IS ALLOWED WHERE THE FRAMING MATES TO THE BLOCK SO A FLUSH CONNECTION CAN BE MADE.
 -BEAM BLOCKS ORIENTED AT 0°±2° FROM VERTICAL.
 -DIMENSIONS CONFIRMED AT SHOP TEMPERATURE AT THE TIME OF FABRICATION.



DO NOT REMOVE EXTERNAL BEAD AT FUSION BETWEEN END CAP AND PIPE (TYP)



THIS DRAWING IS INTELLECTUAL PROPERTY OF ISCO INDUSTRIES, INC. ("ISCO"). IT IS INTENDED FOR THE IDENTIFICATION OF THE GOOD(S) DEPICTED AND SHALL NOT BE CIRCULATED OR REPRODUCED WITHOUT PERMISSION FROM AN AUTHORIZED AGENT OF ISCO. THE USE OF THIS DRAWING IS NOT INTENDED TO REPLACE THE EVALUATION, JUDGMENT AND/OR OPINION OF A LICENSED PROFESSIONAL AND THE USER OF THIS DRAWING EXPRESSLY ASSUMES AND RELEASES ISCO FROM ALL RISK AND LIABILITY ASSOCIATED THEREWITH. THE GOODS DEPICTED IN THIS DRAWING ARE SUBJECT TO ISCO'S STANDARD TERMS AND CONDITIONS OF SALE SET FORTH AT WWW.ISCO-PIPE.COM/TERMS-AND-CONDITIONS.ASPX.

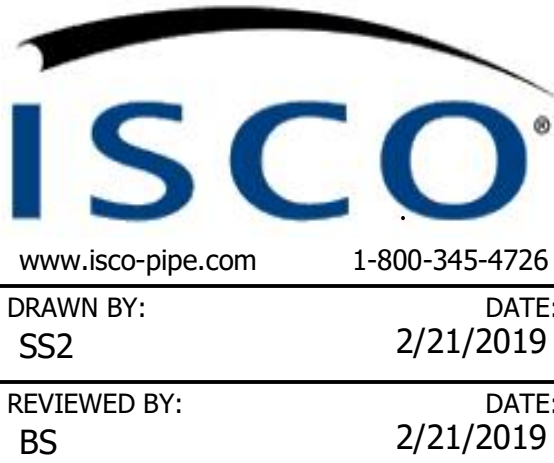
TOLERANCE STANDARDS AS MEASURED AT AMBIENT TEMPERATURE:
 -ISCO SHALL MAINTAIN A FABRICATION TOLERANCE OF ± 1/2" FOR ALL DIMENSIONS SHOWN.
 -ISCO SHALL MAINTAIN A FABRICATION TOLERANCE OF ± 2° FOR ALL ANGLES SHOWN.
 -(X'X") MARKS A DIMENSION THAT IS FOR REFERENCE ONLY.
 -(NC) MARKS A DIMENSION THAT IS NOT CRITICAL AND REQUIRES NO NOTIFICATION OF DEVIATION BY FABRICATOR.
 -SPECIFIC TOLERANCES MAY BE PROVIDED BY CUSTOMER BUT MUST BE APPROVED BY ISCO INDUSTRIES AND NOTED ON DRAWING PRIOR TO FABRICATION.
 *UNLESS OTHERWISE SPECIFIED.

GENERAL NOTES:
 -STRUCTURE OUTLETS NOT DESIGNED AS ANCHOR POINTS FOR CONNECTED PIPING.

REVISION HISTORY			
REV	DESCRIPTION	DATE	BY
1	CHANGED 10" PIPE FROM DR 11 TO DR 17	3/28/2019	BS
2	CHANGED TO CUSTOM ATTACHMENT BLOCKS	4/2/2019	BS

TESTING
 REQUIRED: NONE
 TYPE: N/A
 PRESSURE: N/A
 DURATION: N/A

APPROVED BY: _____ DATE: _____
 DRAWN BY: SS2 DATE: 2/21/2019
 WO #: _____ REVIEWED BY: BS DATE: 2/21/2019



CUSTOMER NAME: NOAA
 DRAWING TITLE: 10" DR 11 PIPE FLOAT
 SIZE: D DWG FILE LOCATION: DN/AS/CG/NOAA-022219 SHEET 1 OF 1
 TERRITORY REPRESENTATIVE: CESAR GALLARDO